

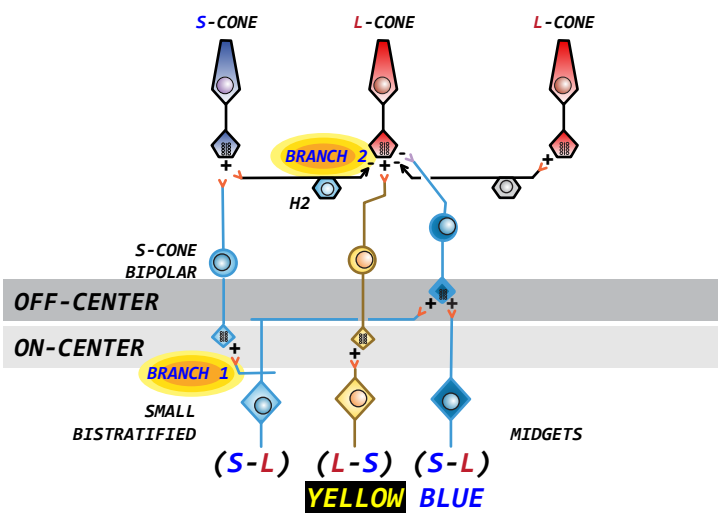
Figure 3

CHROMATIC

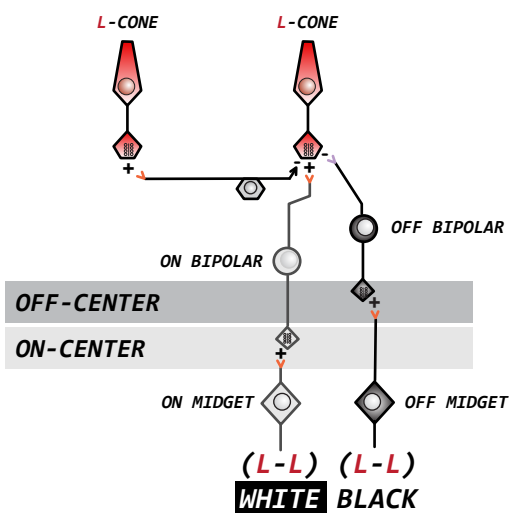
ACHROMATIC

DICHROMAT

GANGLION CELLS WITH S-CONE INPUT

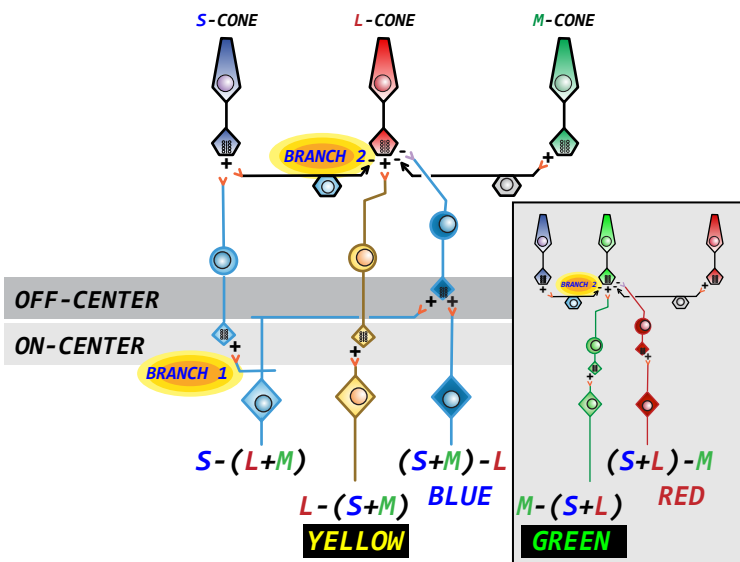


MIDGET GANGLION CELLS WITHOUT S-CONE INPUT



TRICHROMAT

GANGLION CELLS WITH S-CONE INPUT



MIDGET GANGLION CELLS WITHOUT S-CONE INPUT

